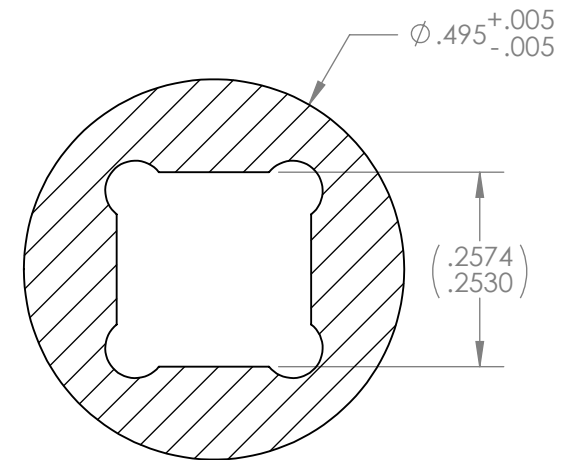
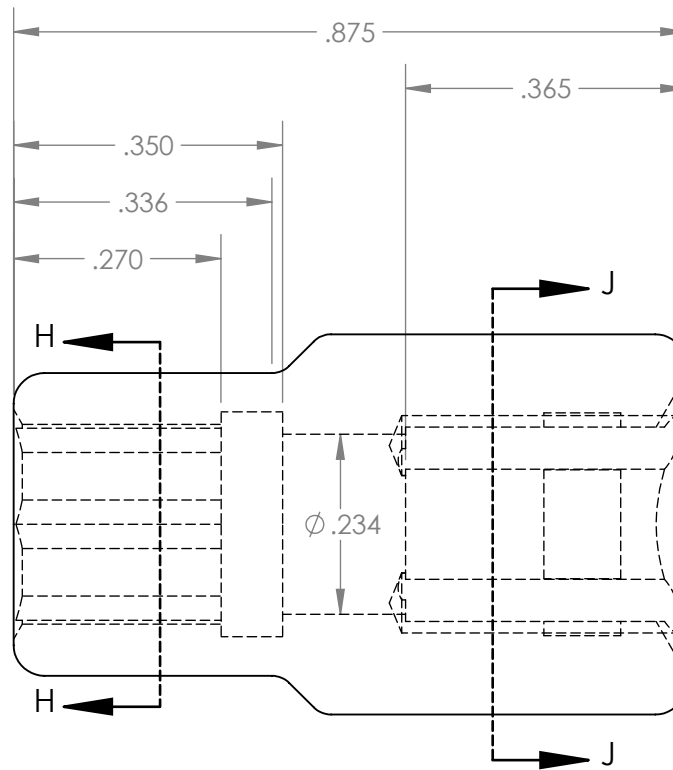
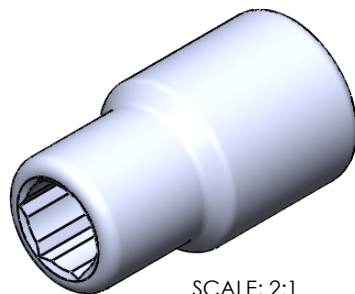



SECTION H-H  
SCALE 4 : 1



SECTION J-J  
SCALE 4 : 1



SCALE: 2:1

UNLESS OTHERWISE SPECIFIED: DIMENSIONS ARE IN INCHES				TOLERANCES: X.XX= ±0.13 X.XXX= ±0.015 X.XXXX= -0.0015		 <b>STERITOOL™</b> The Global Source for Stainless Steel Tools	
DRAWN	NAME	SIGN	DATE				
APPVD	A.T.		01.02.19			TITLE: 1/4" X 1/4" DRIVE SOCKET	
MATERIAL: 17-4 MAGNETIC S.S.				PART NO. 12959		REV: A	
THIS DRAWING IS THE PROPERTY OF STERITOOL, INC. ANY REPRODUCTIONS OR MODIFICATIONS OF THIS DRAWING OR ITS CONTENTS WITHOUT THE CONSENT OF STERITOOL, INC. IS PROHIBITED.				SCALE: 4:1		SHEET 1 OF 1	